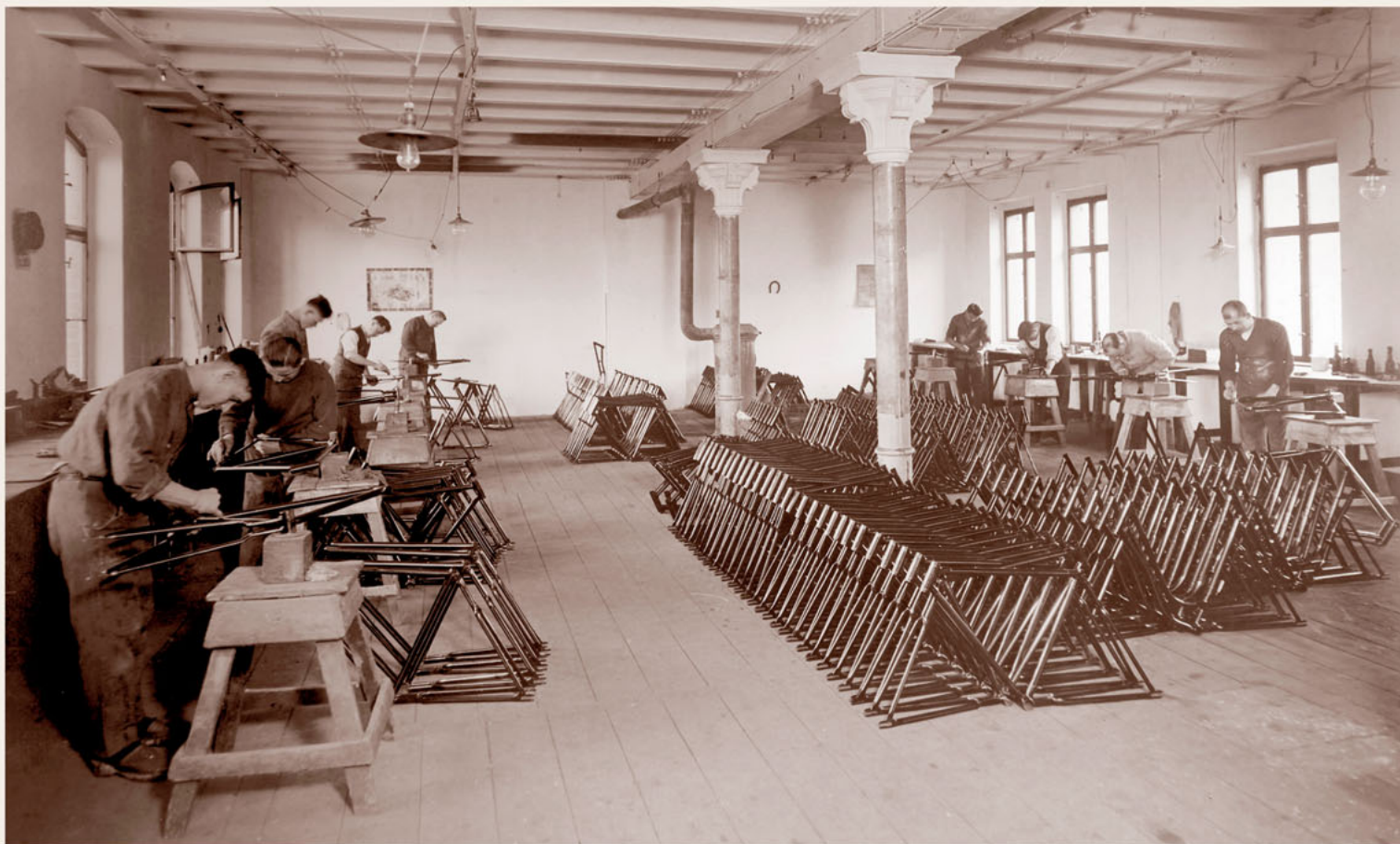




WELTRAD
manufaktur

Handmade Bicycles from Germany since 1885

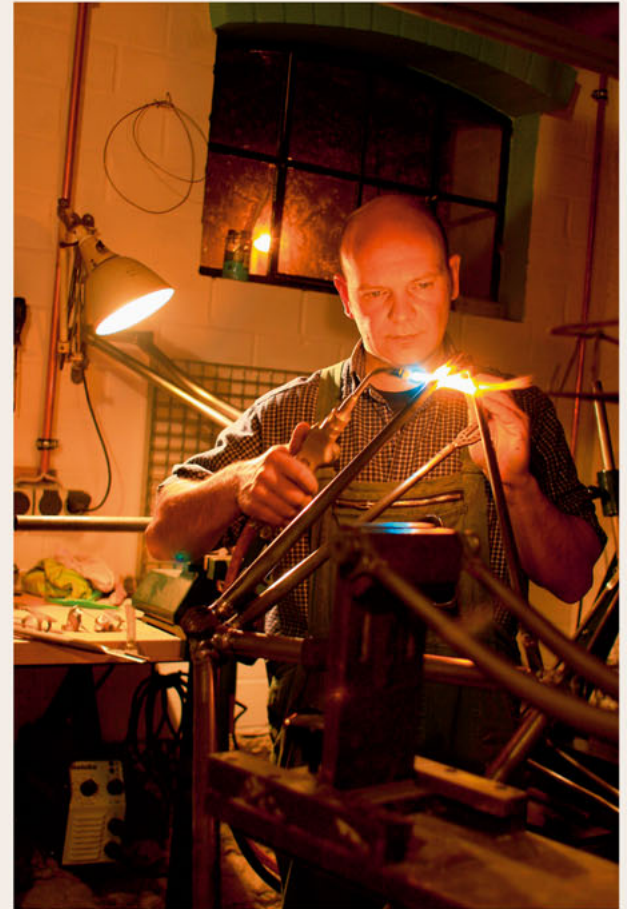
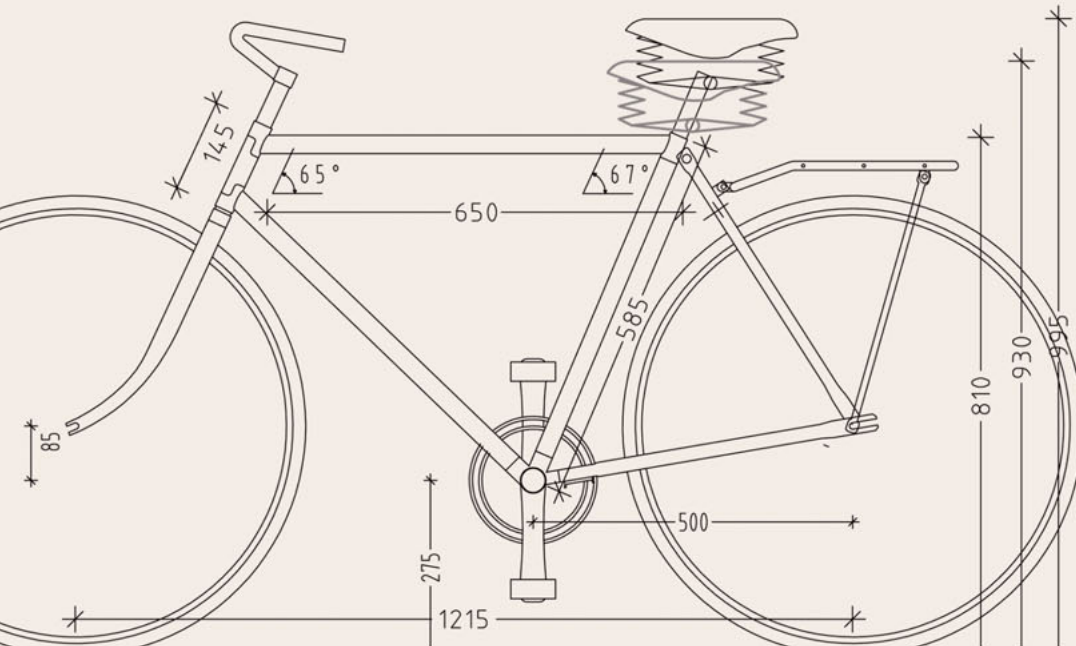


Frame building in the WELTRAD AG in 1921



Philosophy

What we do and how we do it requires not only technical skills, recognising clients' needs and the ability to provide modern and attractive designs, but above all... dedication.



Master frame builder Göran Scherf in 2006

WELTRAD colours



Ivory & Brown*



Ivory & Light green*



Ivory & Bluish-grey*



Ivory & Wine red*

* Airbrush lettering "WELTRAD"



Ivory & Brit.racing green



British racing green



Wine red



Black



Lining by hand on rims, mudguards and chain guard

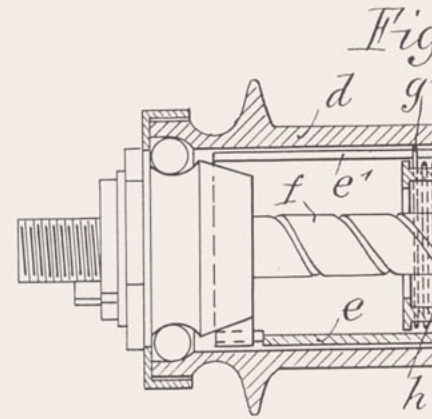


WELTRAD ORIGINAL, Elbaue in 2004



A WELTRAD bicycle can easily be recognised by its tasteful charm and its elegant sublimity, which cyclists must have felt during the 1930s.

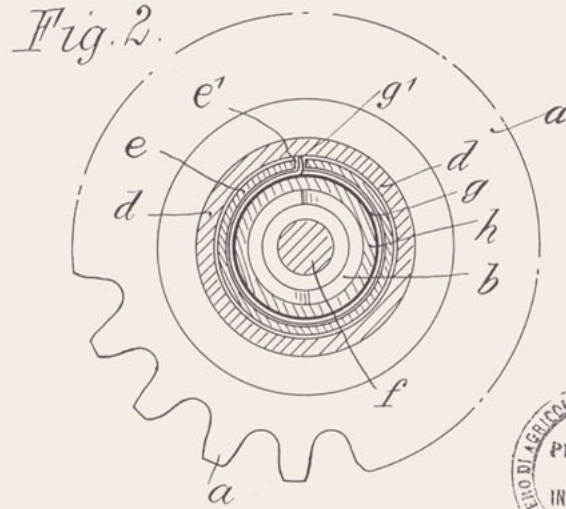
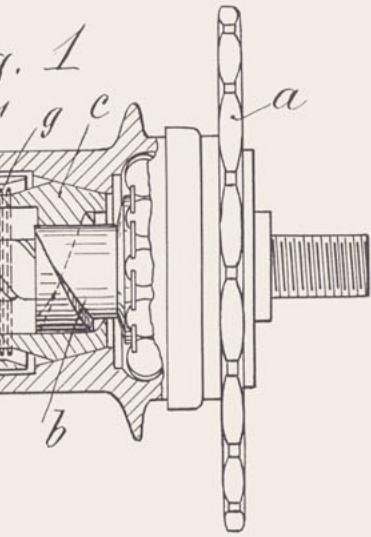
Reg. Gen. N. 138302
Reg. Att. N. 2 Vol. 420-




Quality & Stability of Value

WELTRAD bicycles are crafted by competent and experienced experts whose expertise and technical skills result in a bicycle that, because of its high precision and quality, requires no post-treatment.

Herein lies the reason why a WELTRAD bicycle distinguishes itself from a factory-made bicycle, which, without servicing by an expert, will lose its value in a short time.





Cycling shoes
from Marresi



WELTRAD

Options & Accessories

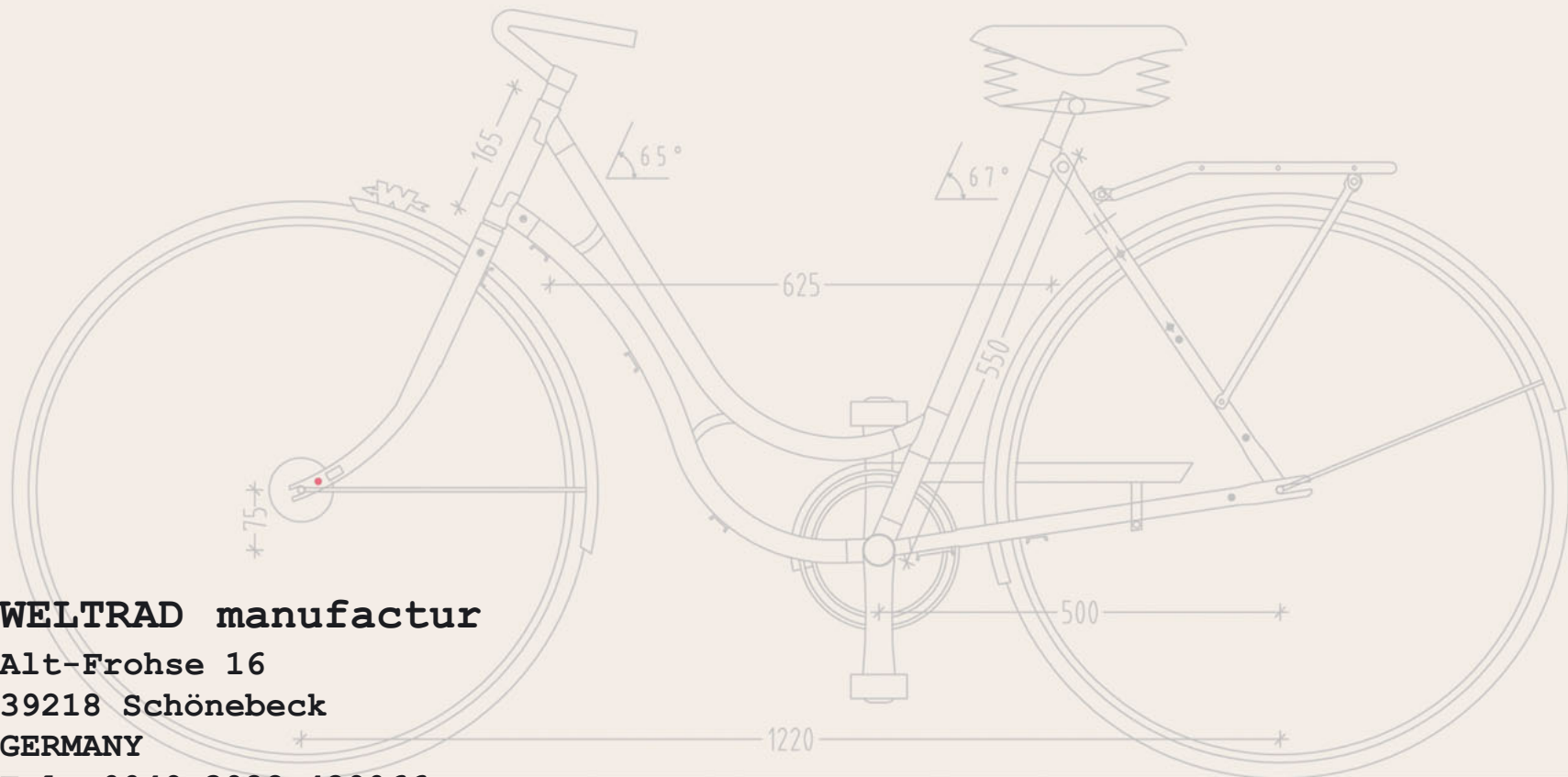
at www.weltrad.de



Beechwood rim



WELTRAD[®] Damenmodell –Schwanenhals– 28"/55 Maßstab 1:5



WELTRAD manufactur

Alt-Frohse 16

39218 Schönebeck

GERMANY

Tel: 0049 3928 429066

www.weltrad.de